

IB4130-60 Double Coated Tape

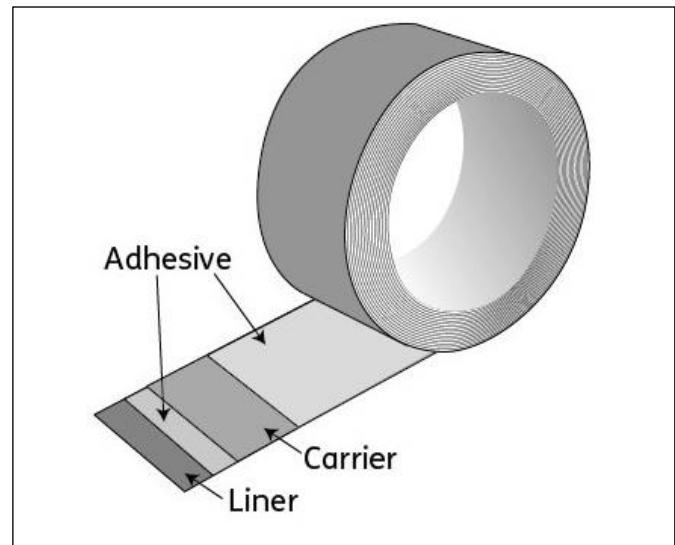
Version: 2
Date: 8/2020
Approved by: JNP

Product Description

IB4130-60 consists of a .5mil PET carrier coated on both sides with 1.2 mils of high-tack acrylic pressure sensitive adhesive. The adhesive is protected by a two-side silicone coated 60# super-calendared Kraft liner. This product is designed for general purpose applications that require high initial tack to a wide variety of substrates.

Product Construction

- **Carrier:** 0.5 mil PET
- **Adhesive:** 1.2 mils HTA410 Acrylic
- **Liner:** 60# White SCK
- **Web Width:** 54"



Features

- High tack acrylic adhesive
- Good shear properties
- Economical liner

Benefits

- High initial tack and adhesion
- Excellent adhesion to a wide variety of substrates
- Clear adhesive
- Solvent & UV resistant
- Excellent handling and die-cutting.

Applications

- General purpose mounting & bonding applications
- Foam bonding applications
- Felt and Fabric Bonding applications

IB4130-60 Physical Properties			
Thickness	Mils Liner/Unwind		
Adhesive	1.2/1.2		
Carrier	0.5		
Liner	3.5		
Total Thickness	6.4		
Performance Test	Test Method	Typical Values	
Loop tack	PSTC-16	Lbs./in.	Oz/in.
Stainless Steel	Backed with 2 mil PET	6.4	102.4
Peel Adhesion 2 mil PET Backed	PSTC-101-Method A	Lbs./in.	Oz/in.
30-minute Stainless Steel	Backed with 2 mil PET	8.5	136
24 hour Stainless Steel		9.9	158
30 minute dwell	ABS	7.9	126
30 minute dwell	Polycarbonate	8.3	133
30 minute dwell	HDPE	2.9	46
Peel Adhesion	PSTC-101-Method A	Lbs./in.	Oz/in.
30-minute Stainless Steel	2 mil dead soft aluminum foil	9.0	144
30-minute Polypropylene		2.5	40
Shear	PSTC-107-Method A	Hours to Fail	
1 kg weight	72°F	85+	
Tensile	ASTM-D882	Lbs./in.	Oz./in.
MD/CD		10	160
Elongation	ASTM-D882	%	
MD		100	

Values given are typical and not for use in specifications

SERVICE TEMPERATURE

Application: Above 50°F (10°C) for best performance
 End Use: -40°F to 300°F (-40°C to 149°C)

APPLICATION DETAILS

For best performance surfaces must be clean, dry and free of any oil, grease or other contaminant.

SHELF LIFE

Two year shelf life when stored at 75°F. (24°C.) and 50% relative humidity or less. It is recommended that the product be stored in its original package until ready to use.

CALL **1-800-328-2619** for additional product information

IMPORTANT NOTICE: The information given and recommendations made herein are based on our research and are believed to be accurate. In every case, user shall determine before using any product in full scale production, whether such product is suitable for their particular purpose under their own operating conditions. User assumes all risk and liability whatsoever in connection with their use of any product. The products discussed herein are sold without any warranty as to merchantability or any other warranty, expressed or implied. No representative of ours has any authority to waive or change the foregoing provisions unless in a specific agreement signed by the officers of seller and manufacturer. Ultimately, sellers and manufacturers only obligation shall be to replace or credit such quantity of the product proved to be defective at its discretion.

™ Trademark of Morgan Adhesives Company LLC
 ® Registered Trademark of Morgan Adhesives Company LLC
 www.Mactac.com

